

Sub Miniature Pressure Sensor for Harsch Environment



Features

- ➔ Available with 0,5-4,5Vdc output
- ➔ Operating from -40 to +140°C
- ➔ Ultra light sensor : 3 grams
- ➔ Large Bandwidth

Applications

- ➔ Automotive - on vehicle
- ➔ Aerospace
- ➔ Military
- ➔ Motorsport

The PHE860 series is designed to operate in the harshest environments, including wide temperature operating temperature, mechanical shocks and vibrations. It is well adapted to embedded measurements, on vehicles, aircrafts, satellites, robots, missiles or on test benches for any equipement where space and mass are at a premium. With pressure ranges available from -1 up to 250 bar, its stainless steel construction makes it usable with most fluids used in industry, even corrosive ones. The PHE860 is manufactured with the ruggedized and proprietary sensitive elements and components developed by EFE. Its manufacturing process, including traceable controls and special burn-in, gives the best insurance of high performances and stability in the most challenging applications.

Technical specifications

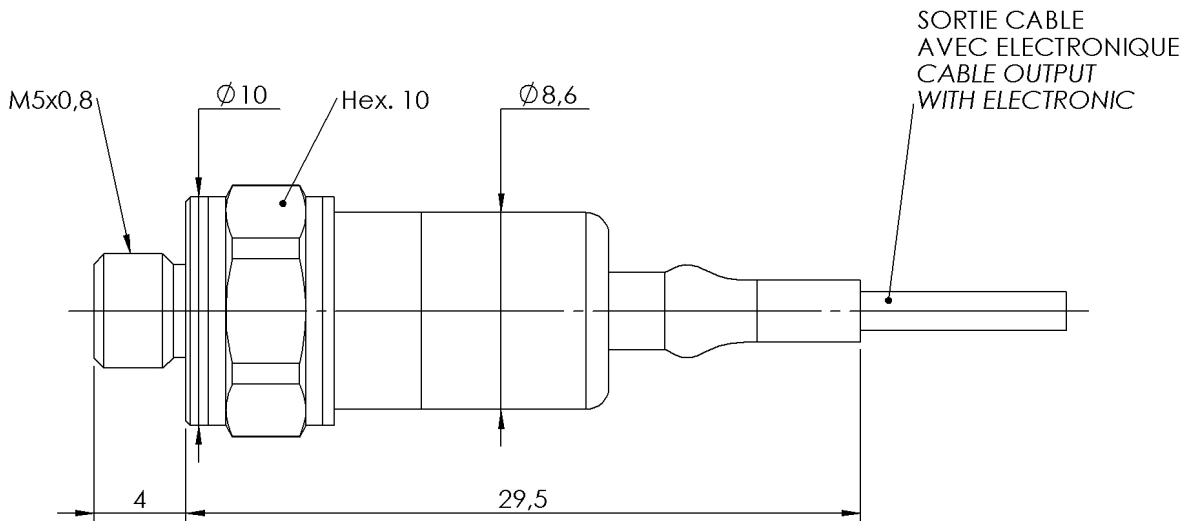
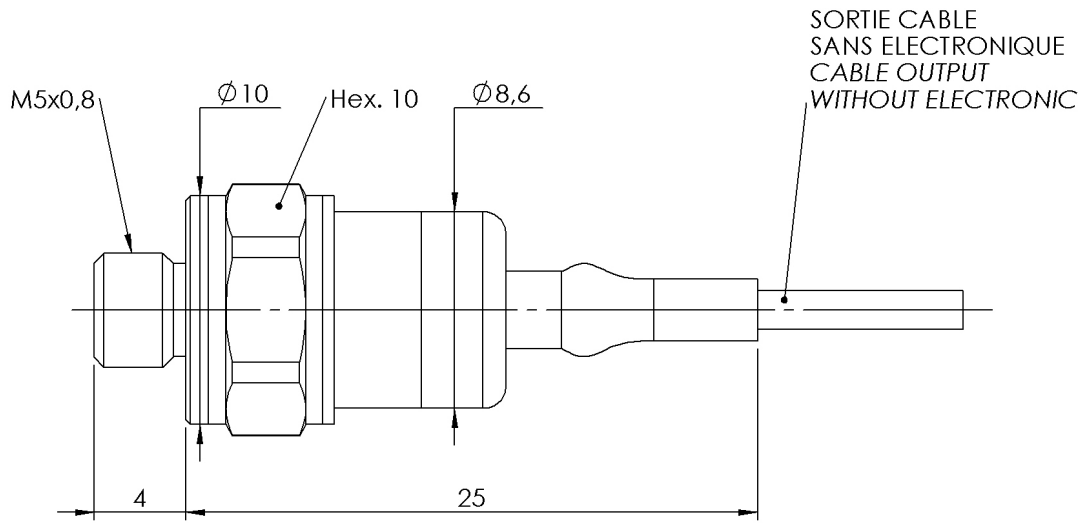
Pressure ranges (FS)	-1/+4bar ; -1/+9bar ; 5bar ; 10bar ; 20bar ; 40bar ; 70bar ; 250bar ; -14.5/+60PSI ; -14.5/+140PSI ; 70PSI ; 150PSI ; 300PSI ; 500PSI ; 1000PSI ; 3000PSI
Type	Absolute ; Gage
Type (for ranges > 40 bar)	Sealed Gage
Safe overload	150% FS
Burst pressure	300% FS
Power supply	8 to 16Vdc
Consumption	< 10mA
Insulation	> 1000 MOhms under 50Vdc at ambient temperature
Output at -100%FS (only for ± range)	0.5Vdc
Output at 0%FS (except ranges ±)	0.5Vdc
Output at 100%FS	4.5Vdc
Zero and sensitivity settings tolerances	±50mV

Technical Specifications

Non linearity and hysteresis combined	±0.25% FS typical (±0.35% FS max.)
Non repeatability	±0.02% FS typ.
Signal bandwidth	1000Hz @ -3dB Option : Special Adjustment up to 3000Hz @ -3dB
Compensated temperature range	-40 to +125°C Option : -40 to +140°C
Operating temperature range	-40 to +140°C
Combined thermal zero & sensitivity shifts	±0.02% FS/°C Option : ±0.01% FS/°C
Constant acceleration in linear vibrations	± 0.02% FS/g (frequency 20-2000Hz, 50g max.)
Mechanical shock	100g ½ sinus 1ms
Electrical protection	Not protected against polarity inversion
EMC protection	Compliant to EN61000
Electrical connection	AWG32 4 wires Ø1.6mm Shielded Teflon Cable & Polyolefine Sleeve Option : AWG32, 4 wires Ø1.6mm shielded Teflon cable and Viton sleeve
Mechanical connection	M5x0.8-6g male 4mm length
Material(s) of wetted parts	Stainless Steel 316L ; Stainless Steel 17-4PH ; Stainless steel 15-5PH
Weight	3g without cable
Enclosure protection	IP65 for sealed gage version

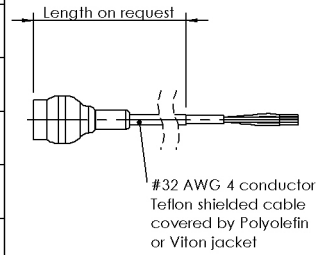
Codification

Sub Miniature Pressure Sensor for Harsch Environment	PHE86	7	S	10bar	G	27	17/1m	D	3	1	B
Output Signal											
0.5-4.5Vdc unregulated power supply		7									
Material											
Stainless Steels			S								
Range											
Example				10bar							
Type											
Gage					G						
Sealed Gage					SG						
Mechanical connection											
M5x0.8-6g male 4mm length						27					
Electrical connection											
AWG32 4 wires Ø1.6mm Shielded Teflon Cable & Polyolefine Sleeve							17/1m				
AWG32, 4 wires Ø1.6mm shielded Teflon cable and Viton sleeve							18/1m				
Compensated temperature range											
-40 to +125°C								D			
-40 to +140°C								F			
Non linearity and hysteresis combined											
±0.25% FS typical (±0.35% FS max.)									3		
Combined thermal zero & sensitivity shifts											
±0.02% FS/°C										1	
±0.01% FS/°C										2	
Options											
Special Adjustment up to 3000Hz @ -3dB											B



DIMENSIONS : mm

4 CONDUCTOR TEFLON CABLE	
VOLTAGE OUTPUT	CONDUCTOR
+ EXCITATION	RED
+ SIGNAL	GREEN
0 VOLT	BLACK
NC	WHITE
SENSOR HOUSING	SHIELD



E.F.E.
 L'ESSOR FRANCAIS ELECTRONIQUE
 16 Rue Porte a Bateaux - 27540 Ivry-la-Bataille - FRANCE
 Tel : 33 (0)2 32 22 35 05 - Fax : 33 (0)2 32 36 93 08
www.efe-sensor.com - infos@efe-sensor.com

Agent :

