

GLE/ABA-100-S

Airborne S-band Blade Antennas for Telemetry & Data-Links

Overview

GLE/ABA-100-S is a family of high performance and high temperature, blade antennas for telemetry and data-link applications on civil and military aircrafts.

These antennas have omni-directional pattern over the entire frequency range.

Are also available blade configurations for UHF, L, C, X, Ku and other frequency bands.

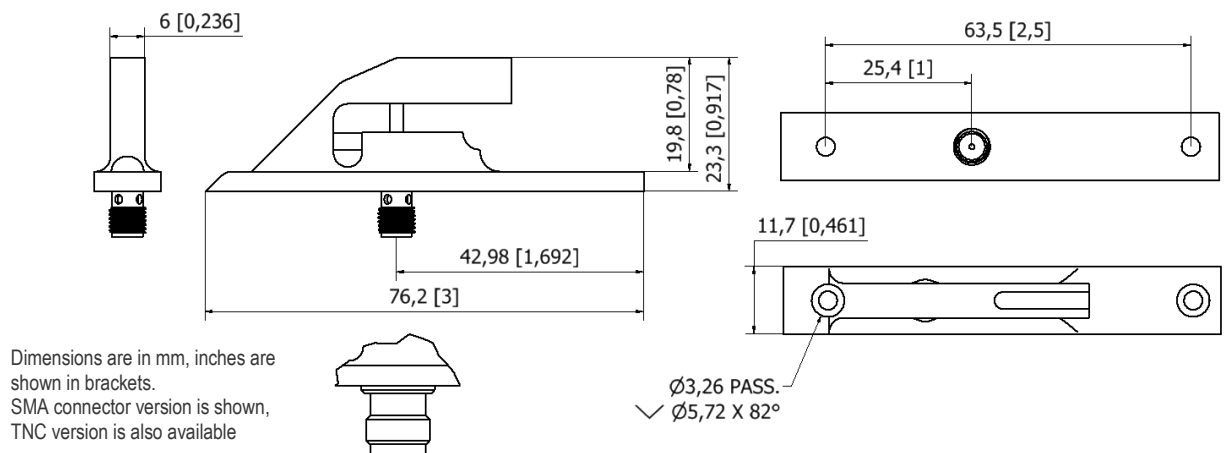
Designed as light weight, low profile, low drag antennas are ideally suited for high performance supersonic aircrafts.



Specifications

Electrical		
Frequency	P/N for SMA Connector	P/N for TNC Connector
2.20 ÷ 2.4 GHz	GLE/ABA-100-S-2.20-2.40-S-X	GLE/ABA-100-S-2.20-2.40-T-X
Radiation Pattern / Polarization	Omni-directional / vertical	
Antenna Gain	2 to 5 dB	
VSWR	< 2.0:1.0	
Output Impedance	50 Ω	
Power Handling	300 Watts	
DC Grounding	Yes, Lightning Protection	
Environmental		
Temperature	-65°C to +600°C [-85°F to +1,100° F]	
Altitude	≥ 21,000 m [≥70,000 ft.]	
Vibration	≥ 30 G's	
Federal & Military Specifications		
Design to	FAA TSO-C144, DO-160D, DO-228, MIL-C-5541, MIL-E-5400, MIL-I-45208A, MIL-STD-810, AND SAE J1455	
Mechanical		
Size	Width 11.43 mm [0.45 in.], Length 76.20 mm. [3.00 in], Height 22.99 mm [0.90 in.]	
Weight	18 grams [approx 0.65 oz.] (SMA version)	
Finish	Yellow Irite per MIL-C-5541F, Type 1 Class 1A	
Material	6061-T6 Aluminium Alloy Base	
Connector	SMA Female or TNC Female	
Colour and related P/Ns	Colour	P/N
	Gloss White #17925 per FED-STD-595B;	GLE/ABA-100-S-X.XX-X.XX-X-1
	Lusterless Gray #36320 per FED-STD-595B;	GLE/ABA-100-S-X.XX-X.XX-X-2
	Olive Drab Green #34031 per FED-STD-595B;	GLE/ABA-100-S-X.XX-X.XX-X-3
	Lusterless Black #37038 per FED-STD-595B	GLE/ABA-100-S-X.XX-X.XX-X-4

Mechanical Drawing



Due to continuous developments, specifications are subject to change without prior notice.

This product is not intended for applications whose its failure to perform can be expected to cause damages to properties and/or persons and/or injury to human life.