

ID/HX-P420 SERIES

4 to 20 mA OUTPUT



The **ID/HX-P420** position transducer provides a 4 to 20 mA output signal with a potentiometric sensor. The **ID/HX-P420** is particularly advantageous in electrically noisy environments. Since the transmitter is loop powered, an assembled system consists of a power supply, current monitor, and transmitter all connected in series. Zero and span adjustments allow setting the 4 mA position within the first 30% of total travel and setting the 20 mA position within 80% to 100% of total travel. The **ID/HX-P420** may be powered with a supply voltage in the range of 9 to 35 VDC subject to the total loop resistance.



MODEL NUMBER CONFIGURATION

GENERAL

Measurement Ranges..... See Supplemental Data^[1], Table 12
 Sensing Device..... Precision Potentiometer
 Connector..... MS3102E-14S-6P
 Mating Connector (included)..... MS3106E-14S-6S

PERFORMANCE

Linearity
 2", 3", 4", 5" & 6" Ranges..... ±0.30% Full Scale
 10", 15", 20" & 25" Ranges..... ±0.20% Full Scale
 All other ranges..... ±0.15% Full Scale
 Repeatability..... ±0.015% Full Scale
 Resolution..... Essentially Infinite

ENVIRONMENTAL

Thermal Coefficient of Sensing Element..... ±100 PPM/°C Max.
 Operating Temperature..... -40°C to +95°C
 Operating Humidity..... 100%
 Vibration..... 15 G's 0.1 ms max.
 Shock..... 50 G's 0.1 ms max.

INGRESS PROTECTION (Exclusive of Wire Rope Area)

Standard..... IP-65 (NEMA 4)
 Optional..... IP-68 (NEMA 6)

FOOTNOTES TO SPECIFICATIONS

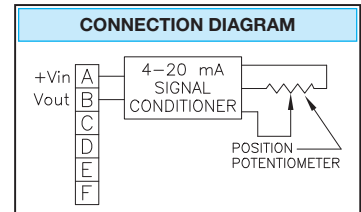
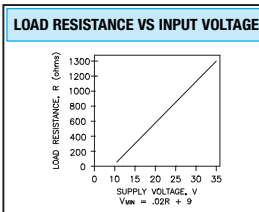
1. Supplemental Data section located at end of ID/HX Series pages.

ELECTRICAL

Output..... User Adjustable 4 to 20 mA
 Excitation Voltage..... 9 to 35 VDC
 Min. Supply Voltage..... (.02 x Load Res.) + 9 VDC
 Insulation Resistance..... 100 Megohms min. at 100 VDC
 Adjustment Range
 4 mA..... 0 to 30% of Range
 20 mA..... 80% to 100% of Range
 Protection..... Reversed Polarity

Intrinsic Safety (Optional):

Class 1, Div 1, Groups A,B,C,D
 Class 2, Groups E, F, G
 Class III hazardous locations



SPECIFICATIONS

HX-P420- 0 1 2 3 4 5 6 7 8 9

BASIC CONFIGURATION (FOR ALL RANGES)

ID/HX-P420-50-S10-N0S-1BC

0 RANGE
 Select Measurement Range From Supplemental Data **Table 12** (next page), Insert Corresponding Measurement Range Designator

1 WIRE ROPE
S..... Stainless Steel (See Supplemental Data, Table 12)
N..... Ø.018 (0.45 mm) Nylon Jacketed Stainless Steel Ranges to 80" (2m) only. (formerly NJC)
J..... Ø.037 (0.94 mm) Nylon Jacketed Stainless Steel Ranges 100" (2.5m) to 500" (12.7m) only.

2 WIRE ROPE TENSION
1..... Standard
2..... Reduced (Ranges to 80" only)

3 WIRE ROPE EXIT DIRECTION
 Use Number designators shown RANGES TO 80" (2000 mm)

RANGES 100" TO 2000" (2.5 m TO 50 M)

4 HAZARDOUS AREA PROTECTION
N.....None
X.....UL, CSA Intrinsically Safe
 "X" Option available for measurement ranges to 800" maximum.

5 0.....Required Designator

6 ELECTRICAL OUTPUT POLARITY
S.....Standard (increasing output as wire rope is extended)
R.....Reversed (decreasing outputs as wire rope is extended)

NOTES FOR OPTION BOXES 7, 8, and 9

IP-65 (NEMA 4): Transducer equipped with body mounted connector and with or without mating connector. Mating connector with electrical cable available separately as part number **10119-xM** where 'x' is length of electrical cable in meters.

IP-68 (NEMA 6): Transducer equipped with bulkhead fitting and length of electrical cable. Remote end of electrical cable may be outfitted with water proof connector. Mating connector with electrical cable available separately as part number **10424-xM** where 'x' is length of electrical cable in meters.

7 INGRESS PROTECTION
1..... IP-65 (NEMA 4)
2..... IP-68 (NEMA 6)
3..... IP-68 (NEMA 6) Corrosion Resistant Construction

8 IP-65-NEMA 4 CONNECTOR
B..... 6 Pin 3102E Body Mounted Connector
IP-68-NEMA 6 ELECTRICAL CABLE
P..... Bulkhead Fitting w/ 0.3m (12") Electrical Cable
3..... Bulkhead Fitting w/ 3m (10') Electrical Cable
4..... Bulkhead Fitting w/ 4m (13.5') Electrical Cable
5..... Bulkhead Fitting w/ 5m (16.5') Electrical Cable
6..... Bulkhead Fitting w/ 6m (20') Electrical Cable
7..... Bulkhead Fitting w/ 7m (23') Electrical Cable

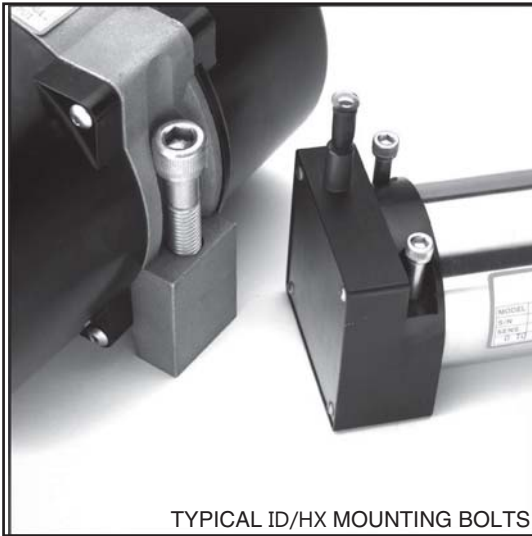
9 IP-65-NEMA 4 MATING CONNECTOR
C..... IP-65 Mating Connector Included
K..... IP-65 Mating Connector Omitted*
 *Electrical cable with mating connector may be ordered separately as part number **10119-xM** where 'x' is the length required in meters.

IP-68-NEMA 6 CABLE MOUNTED CONNECTOR
N..... No connector on end of electrical cable
K..... IP-68 Cable to cable connector with **NO** mating connector**
 Electrical cable with mating connector may be ordered separately as part number **10424-xM where 'x' is the length required in meters. Mating connector alone unavailable.



Instrumentation Devices Srl
 Via Acquanera 29 - 22100 COMO (Italy)
 ph +39 031 525 391- fax +39 031 507 984
 info@instrumentation.it - www.instrumentation.it

MECHANICAL SPECIFICATIONS



TYPICAL ID/HX MOUNTING BOLTS

AVAILABLE MEASUREMENT RANGES See Table 12

CONSTRUCTION

- Ranges 80" (2 m) and under Anodized Aluminum Mounting Base
Stainless Steel & Anodized Aluminum Housing
- Ranges 100" (2.5 m) and greater Stainless Steel Mounting Base
High Impact, Corrosion Resistant
Thermoplastic Housings
- Wire Rope Tension..... See Table 12
- Wire Rope Diameter See Table 12
- Weight See Table 12
- Connector MS3102A-14S-6P
- Mating Connector MS3106E-14S-6S
- Optional NEMA 6 Capability..... Bulkhead fitting with shielded twisted pair cable

Life^[1]

- Ranges 2" to 6" 5,000,000 full stroke cycles
- Ranges 10" to 25" 500,000 full stroke cycles
- Ranges 30" to 400" 250,000 full stroke cycles
- Ranges 500" to 2000" 200x10⁶ lineal inches

NOTES:

1. With 1K ohm potentiometer, wire rope misalignment 2° maximum at full stroke, relatively dust free environment, nylon jacketed wire rope on units with ranges 80" and less.

Use value from this column to indicate overall measurement range

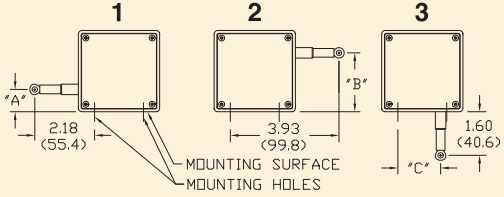
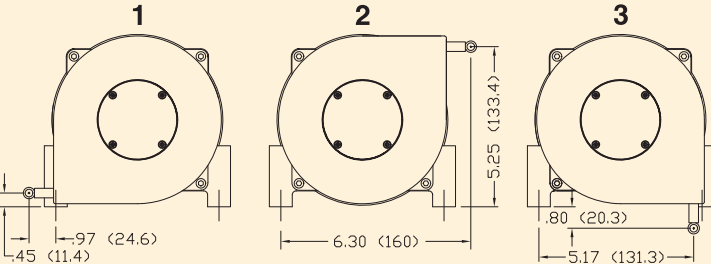


Check mark indicates available measurement range

TABLE 12

MEASUREMENT RANGE DESIGNATOR	STANDARD MEASUREMENT RANGES		APPLICABLE SERIES			WIRE ROPE TENSION (NOMINAL)		WIRE ROPE DIAMETER		TRANSDUCER WEIGHT		Product Photo
	(in)	(mm)	ID/HX-PA ID/HX-PB ID/HX-P420 ID/HX-P510	ID/HX-EP	ID/HX-V ID/HX-VP	(oz)	(N)	(in)	(mm)	(lb)	(Kg)	
2	2	50	✓	-	✓	34	9.4	.016	0.4	2	0.9	
3	3	75	✓	-	✓	24	6.7	.016	0.4	2	0.9	
4	4	100	✓	-	✓	24	6.7	.016	0.4	2	0.9	
5	5	125	✓	-	✓	19	5.3	.016	0.4	2	0.9	
6	6	150	✓	-	✓	24	6.7	.016	0.4	2	0.9	
10	10	250	✓	✓	✓	34	9.4	.016	0.4	2	0.9	
15	15	390	✓	-	✓	24	6.7	.016	0.4	2	0.9	
20	20	500	✓	-	✓	24	6.7	.016	0.4	2	0.9	
25	25	640	✓	✓	✓	19	5.3	.016	0.4	2	0.9	
30	30	750	✓	-	✓	24	6.7	.016	0.4	2	0.9	
40	40	1000	✓	-	✓	24	6.7	.016	0.4	2	0.9	
50	50	1250	✓	✓	✓	19	5.3	.016	0.4	2	0.9	
60	60	1500	✓	✓	✓	24	6.7	.016	0.4	2	0.9	
80	80	2.0m	✓	✓	✓	21	5.8	.016	0.4	2	0.9	
100	100	2.5m	✓	✓	✓	36	10.0	.024	0.6	6.8	3.1	
120	120	3.0m	✓	✓	✓	36	10.0	.024	0.6	6.8	3.1	
150	150	3.8m	✓	✓	✓	36	10.0	.024	0.6	6.8	3.1	
200	200	5.0m	✓	✓	✓	36	10.0	.024	0.6	6.8	3.1	
250	250	6.3m	✓	✓	✓	36	10.0	.024	0.6	6.8	3.1	
300	300	7.5m	✓	✓	✓	36	10.0	.024	0.6	6.8	3.1	
350	350	8.8m	✓	✓	✓	36	10.0	.024	0.6	6.8	3.1	
400	400	10.0m	✓	✓	✓	36	10.0	.024	0.6	6.8	3.1	
500	500	12.5m	✓	✓	✓	36	10.0	.024	0.6	8.6	3.9	
600	600	15.2m	✓	✓	✓	36	10.0	.024	0.6	8.6	3.9	
800	800	20.3m	✓	✓	✓	36	10.0	.024	0.6	8.6	3.9	
1000	1000	25.4m	✓	✓	-	36	10.0	.024	0.6	12.0	5.4	
1200	1200	30.4m	✓	✓	-	36	10.0	.024	0.6	12.3	5.6	
1600	1600	40.6m	✓	✓	-	36	10.0	.024	0.6	14.1	6.4	
1800	1800	45.7m	✓	✓	-	36	10.0	.021	0.6	15.9	7.2	
2000	2000	50.8m	✓	✓	-	36	10.0	.021	0.5	16.3	7.4	

Specifications subject to change without notice

OPTION DESCRIPTIONS

OPTION	OPTION DESIGNATOR	DESCRIPTION																												
NYLON JACKETED WIRE ROPE <u>RANGES TO 80" ONLY</u>	N	Replaces standard stainless steel wire rope with Ø.018 nylon jacketed wire rope. This option increases wire rope life dramatically but may increase non-linearity by as much as ±.05% of full scale.																												
NYLON JACKETED WIRE ROPE <u>RANGES 100" TO 500" ONLY</u>	J	Replaces standard stainless steel wire rope with Ø.037 nylon jacketed wire rope.																												
ALTERNATE WIRE ROPE EXIT <u>RANGES TO 80" (2.0 m)</u>	1, 2, 3	 <table border="1" data-bbox="778 728 1284 929"> <thead> <tr> <th>RANGE</th> <th>"A"</th> <th>"B"</th> <th>"C"</th> </tr> </thead> <tbody> <tr> <td>2", 10"</td> <td>1.12 (28.4)</td> <td>1.79 (45.5)</td> <td>1.21 (30.7)</td> </tr> <tr> <td>3", 15", 30"</td> <td>.96(24.4)</td> <td>1.95 (49.5)</td> <td>1.37 (34.8)</td> </tr> <tr> <td>4", 20", 40"</td> <td>.80 (20.3)</td> <td>2.11 (53.6)</td> <td>1.53 (38.9)</td> </tr> <tr> <td>5", 25", 50"</td> <td>.64 (16.3)</td> <td>2.27 (57.7)</td> <td>1.69 (42.9)</td> </tr> <tr> <td>6", 60"</td> <td>.49 (12.4)</td> <td>2.42 (61.5)</td> <td>1.84 (46.7)</td> </tr> <tr> <td>80"</td> <td>.25 (6.4)</td> <td>2.66 (67.6)</td> <td>2.08 (52.8)</td> </tr> </tbody> </table> <p><i>Dimensions in brackets are millimeters</i></p>	RANGE	"A"	"B"	"C"	2", 10"	1.12 (28.4)	1.79 (45.5)	1.21 (30.7)	3", 15", 30"	.96(24.4)	1.95 (49.5)	1.37 (34.8)	4", 20", 40"	.80 (20.3)	2.11 (53.6)	1.53 (38.9)	5", 25", 50"	.64 (16.3)	2.27 (57.7)	1.69 (42.9)	6", 60"	.49 (12.4)	2.42 (61.5)	1.84 (46.7)	80"	.25 (6.4)	2.66 (67.6)	2.08 (52.8)
RANGE	"A"	"B"	"C"																											
2", 10"	1.12 (28.4)	1.79 (45.5)	1.21 (30.7)																											
3", 15", 30"	.96(24.4)	1.95 (49.5)	1.37 (34.8)																											
4", 20", 40"	.80 (20.3)	2.11 (53.6)	1.53 (38.9)																											
5", 25", 50"	.64 (16.3)	2.27 (57.7)	1.69 (42.9)																											
6", 60"	.49 (12.4)	2.42 (61.5)	1.84 (46.7)																											
80"	.25 (6.4)	2.66 (67.6)	2.08 (52.8)																											
ALTERNATE WIRE ROPE EXIT <u>RANGES 100" (2.5 m) and GREATER</u>	1, 2, 3	 <p><i>Dimensions in brackets are millimeters</i></p>																												
NON-STANDARD POTENTIOMETER <u>APPLIES TO ID/HX-PA & ID/HX-VPA ONLY</u>	3, 4	Non-standard potentiometer linearity is as follows: <table border="1" data-bbox="778 1288 1244 1422"> <thead> <tr> <th>RANGE</th> <th>LINEARITY</th> </tr> </thead> <tbody> <tr> <td>5" and Below</td> <td>±1.00% of full scale</td> </tr> <tr> <td>10" to 25"</td> <td>±0.50% of full scale</td> </tr> <tr> <td>30" and above</td> <td>±0.25% of full scale</td> </tr> </tbody> </table> <p><i>Note: This option is subject to potentiometer availability.</i></p>	RANGE	LINEARITY	5" and Below	±1.00% of full scale	10" to 25"	±0.50% of full scale	30" and above	±0.25% of full scale																				
RANGE	LINEARITY																													
5" and Below	±1.00% of full scale																													
10" to 25"	±0.50% of full scale																													
30" and above	±0.25% of full scale																													
REVERSED OUTPUT	R	Output is at a maximum when wire rope is fully retracted. Output decreases as wire rope is extended. Does not apply to velocity signal.																												
IP-68, (NEMA 6) CAPABILITY	2	 Connector is replaced with a bulkhead fitting and a designated length of urethane jacketed, shielded, twisted pair cable. Retraction mechanism and electrical components are sealed to IP-68, (NEMA 6) capability.																												
CORROSION RESISTANT CONSTRUCTION	3	All external anodized aluminum parts of transducer are replaced with stainless steel and corrosion resistant plastic. Transducer is sealed to IP-68 (NEMA 6) capability. Urethane jacketed, shielded, twisted pair cable exits unit. No connector on unit. 																												

DIMENSIONAL INFORMATION

ID/HX SERIES – RANGES TO 80" (2 m)

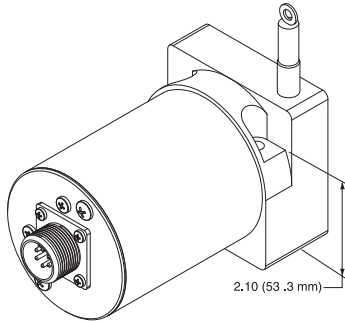
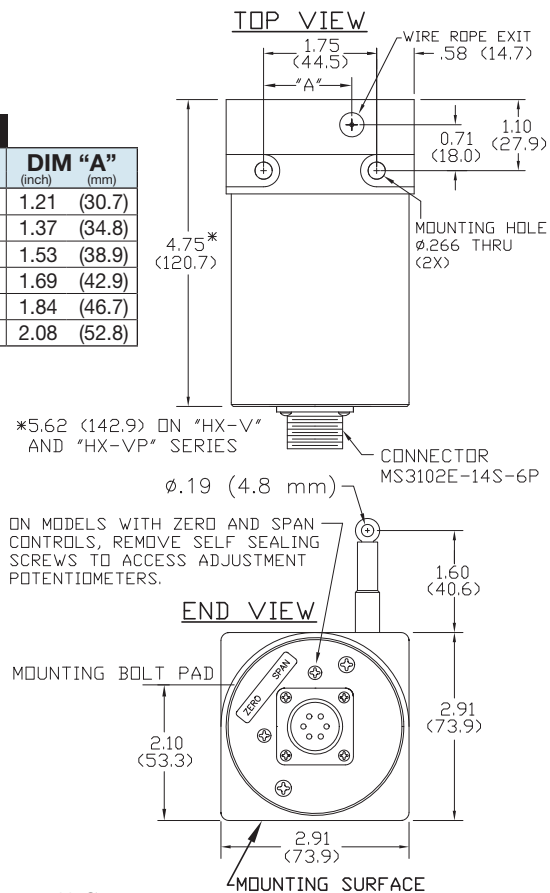


Fig. 1

TABLE 13

RANGE	DIM "A" (inch)	(mm)
2", 10"	1.21	(30.7)
3", 15", 30"	1.37	(34.8)
4", 20", 40"	1.53	(38.9)
5", 25", 50"	1.69	(42.9)
6", 60"	1.84	(46.7)
80"	2.08	(52.8)



NOTES:

1. Transducer mounts with Ø.25 or M6 Socket head cap bolts.

Dimensions in brackets are millimeters

TABLE 14

RANGE	DIM "A" (inch)	(mm)	DIM "B" (inch)	(mm)
Ranges to 800"	7.70	(196)	3.80	(97)
1000" to 2000"	11.0	(280)	5.60	(142)

NOTES:

1. Transducer mounts with Ø.50 or M12 socket head cap bolts.

2. Dimension "C" is the cable offset that occurs as the cable is extended from the transducer. For "C" in inches, $C = .0016 \times E$ where E = extension in inches. For "C" in millimeters, $C = .0016 \times E$ where E = extension in mm.

Dimensions in brackets are millimeters

ID/HX SERIES—RANGES GREATER THAN 80" (2 m)

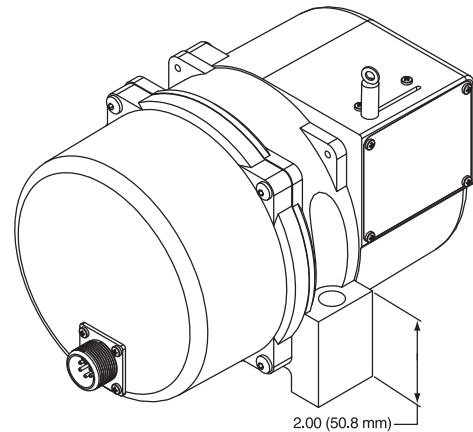
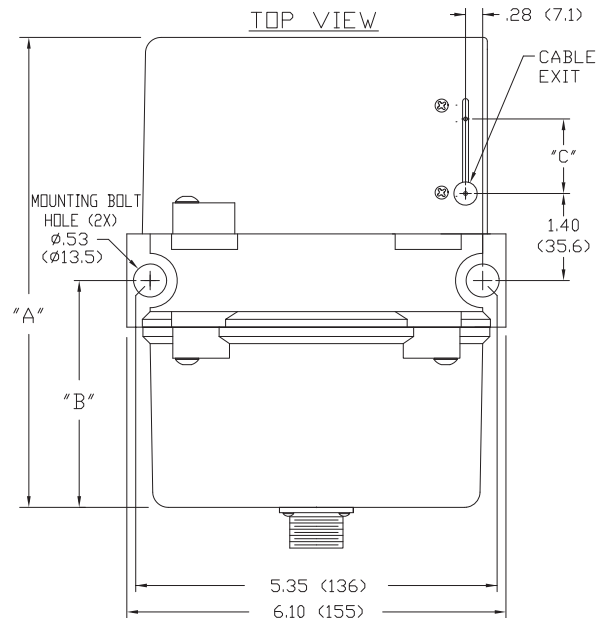


Fig. 2



ON MODELS WITH ZERO AND SPAN
CONTROLS, REMOVE SELF SEALING
SCREWS TO ACCESS ADJUSTMENT
POTENTIOMETERS.

