

# ID/LX-PA SERIES RATIOMETRIC VOLTAGE



The **ID/LX-PA Series** linear position transducer with analog output is a low cost, compact alternative for use in light to moderate duty applications in dry environments. The plastic bodied device is ideal for high volume OEM situations where cost is a major consideration and in applications where small size or low weight are of paramount importance. Model **ID/LX-PA** is available in eleven different measurement ranges with a maximum range of 50" (1250 mm). The output is voltage from a potentiometric voltage divider circuit. In the basic configuration, the electrical connections are made directly to the contacts on the potentiometer of the unit. Electrical cable and a cover for the potentiometer are optionally available. Standard potentiometer value is 1K ohm with optional values of 5K and 10K ohm available.



## SPECIFICATIONS

### GENERAL

Measurement Ranges ..... See Table 1  
 Sensing Device ..... Precision Potentiometer  
 Resolution ..... Essentially Infinite  
 Linearity  
 2", 2.8", 3.8" 4.7" ranges ..... ±1.0% Full Scale  
 10" to 25" ranges ..... ±0.5% Full Scale  
 30" to 50" ranges ..... ±0.25% Full Scale  
 Repeatability ..... ±0.03% Full Scale  
 Construction ..... Thermoplastic Body  
 Cable ..... Ø.018 (0.46 mm) Jacketed Stainless Steel  
 Wire Rope Tension ..... See Table 1  
 Weight ..... 3 oz. (85 gm)  
 Connections ..... Solder terminals  
 Dimensional Information ..... See Supplemental Data<sup>[1]</sup>  
 Life  
 Ranges to 4.7" ..... 1,000,000 full stroke cycles  
 Ranges 10" to 25" ..... 250,000 full stroke cycles  
 Ranges 30" to 50" ..... 125,000 full stroke cycles

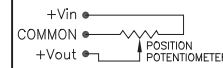
### ENVIRONMENTAL

Operating Temperature ..... -25°C to 75°C  
 Storage Temperature ..... -50°C to 80°C  
 Operating Humidity ..... 95 R.H. max. non-condensing  
 Vibration ..... 15 G's 0.1 ms max.  
 Shock ..... 50 G's 0.1 ms max.  
 Ingress Protection ..... IP-40 (NEMA 1)

### ELECTRICAL

Input Impedance ..... 1000 Ω ±15%  
 Output Impedance ..... 0 to 1000 Ω  
 Excitation Voltage ..... 30 Volts max. AC or DC

### CIRCUIT DIAGRAM



**TABLE 1**

MODEL	RANGE		NOMINAL OUTPUT <sup>[2]</sup> AT 1 VDC INPUT VOLTAGE		NOMINAL WIRE ROPE TENSION	
	(inch)	(mm)	(mV/in)	(mV/mm)	(oz)	(N)
ID/LX-PA-2	2	50	469	18.5	16	4.4
ID/LX-PA-2.8	2.8	70	341	13.4	10	2.8
ID/LX-PA-3.8	3.8	96	258	10.1	8	2.2
ID/LX-PA-4.7	4.7	120	207	8.1	6	1.7
ID/LX-PA-10	10	250	88	3.5	16	4.4
ID/LX-PA-15	15	380	64	2.5	10	2.8
ID/LX-PA-20	20	500	49	1.9	8	2.2
ID/LX-PA-25	25	625	39	1.5	6	1.7
ID/LX-PA-30	30	750	32	1.3	10	2.8
ID/LX-PA-40	40	1000	24	1.0	8	2.2
ID/LX-PA-50	50	1250	20	0.8	6	1.7

### FOOTNOTES TO SPECIFICATIONS

- Supplemental Data section located at end of ID/LX Series pages.
- To Calculate nominal output in application, multiply nominal output shown by excitation voltage of application.

## MODEL NUMBER CONFIGURATION

**LX-PA-** 0 1 2 3 4 5 6

### BASIC CONFIGURATION (FOR ALL RANGES)

**ID/LX-PA-50-N1N-NNN**

**0 RANGE**

2	2" (50 mm)
2.8	2.8" (70 mm)
3.8	3.8" (96 mm)
4.7	4.7" (120 mm)
10	10" (250 mm)
15	15" (390 mm)
20	20" (500 mm)
25	25" (640 mm)
30	30" (750 mm)
40	40" (1000 mm)
50	50" (1250 mm)

**1 WIRE ROPE**

N	Ø.018 (0,45 mm) Nylon Jacketed Stainless Steel
S	Ø.016 (0,4 mm) Stainless Steel

**2 POTENTIOMETER VALUE**

1	1K ohm
3	5K ohm
4	10K ohm

**3 N** ..... Required Designator

**4 COVER & ELECTRICAL CONNECTION LOCATION**

N	No Cover
1	Cover, w/ Electrical Exit Location 1
2	Cover, w/ Electrical Exit Location 2
3	Cover, w/ Electrical Exit Location 3

**5 ELECTRICAL CABLE**

N	No Electrical Cable
P	150 mm (6") pigtail
1	1 m (3')
2	2 m (6.5')
3	3 m (10')
4	4 m (13.5')
5	5 m (16.5')

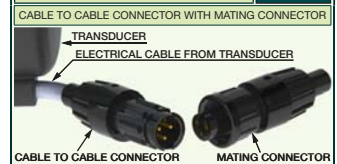
**6 CONNECTOR**

N	No Connector
C	Cable to Cable Connector w/ Mating Connector, See <b>FIG A</b>
K	Cable to Cable Connector w/ <b>NO</b> Mating Connector, See <b>FIG B</b>

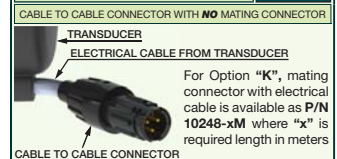
For option "K", electrical cable with mating connector may be ordered separately as item number **10248-xM**, where "x" is the required length in meters.

- "C" and "K" options only apply when electrical cable is selected.
- Cable to cable connector does not connect cable shield/drain wire.

### CONNECTOR OPTION "C" FIG A

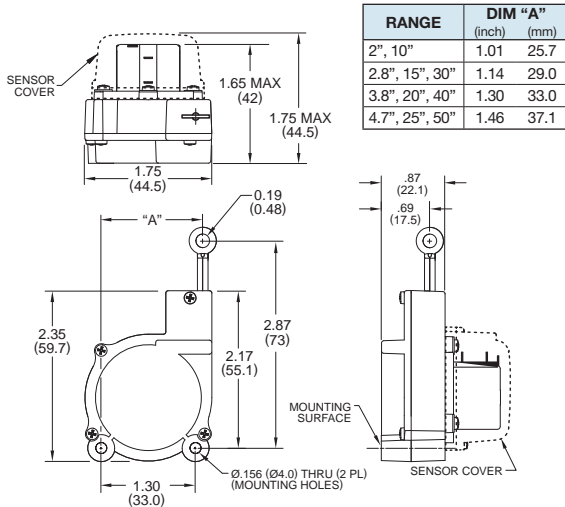


### CONNECTOR OPTION "K" FIG B



## DIMENSIONAL INFORMATION

### ID/LX-PA Series

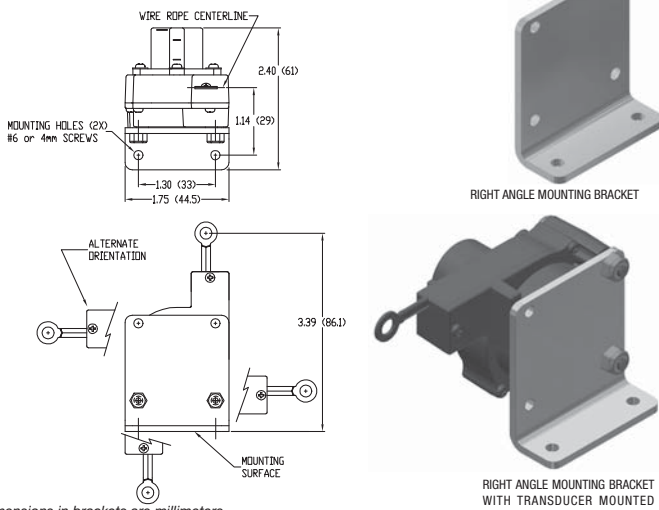


## ACCESSORIES

### 10346 - RIGHT ANGLE MOUNTING BRACKET

The Right Angle Mounting Bracket serves as a base for mounting the ID/LX transducer perpendicular to a surface. The transducer may be mounted in any of four different wire rope exit orientations when mounted on the outside of the bracket (see figure) or any of three orientations when placed above the bracket mounting holes.

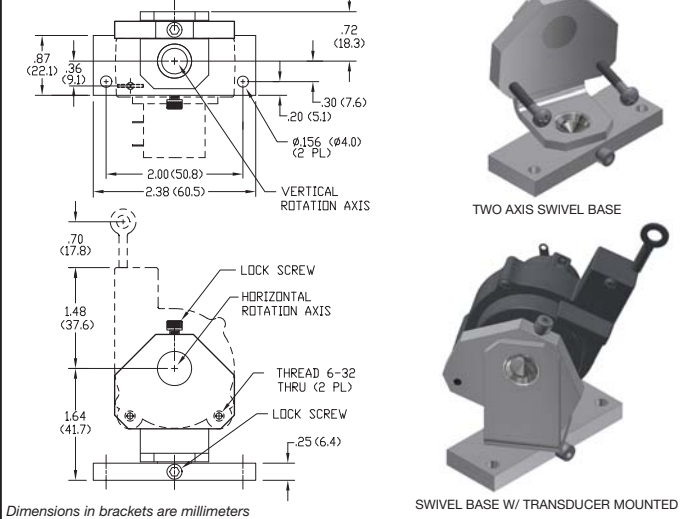
**ORDER MODEL NUMBER: 10346**



### 10156 - TWO AXIS SWIVEL BASE

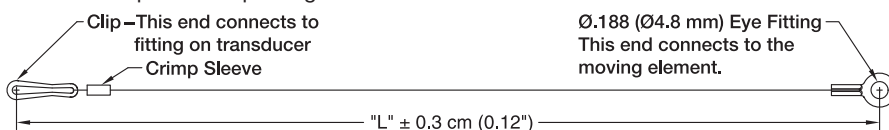
With a capability of 360° rotation about the vertical axis and 245° rotation about the horizontal axis, the 10156 Two Axis Swivel Base allows easy setup of the LX-PA or the LX-EP transducer. The axes may be locked in place after the transducer is oriented. Ideal for quick setups.

**ORDER MODEL NUMBER: 10156**



### 10067 - AUXILIARY WIRE ROPE EXTENSION KIT

The auxiliary wire rope extension may be used to facilitate mounting the transducer remotely from the measurement point. The clip on the extension attaches to the eye fitting on the transducer. The eye fitting on the opposite end, which is identical to the fitting on the transducer, mounts to the moving element. The extension kit is also available with the clip end unterminated for situations where it is more convenient to size the wire rope length during installation. Clip and crimp fitting are included with the unterminated version.



## 10067- 1 -CM- 2

- DIMENSION "L"**  
Specify Dimension "L" in centimeters to the nearest whole centimeter  
NOTES: 1. 1 cm = 0.394", 1 inch = 2.54 cm  
2. Shortest length "L" is 5 cm (approximately 2")
- UNTERMINATED CLIP END**  
Leave Blank.... Completed kit (No designator required)  
U..... Unterminated Clip End (clip and crimp sleeve included in kit)